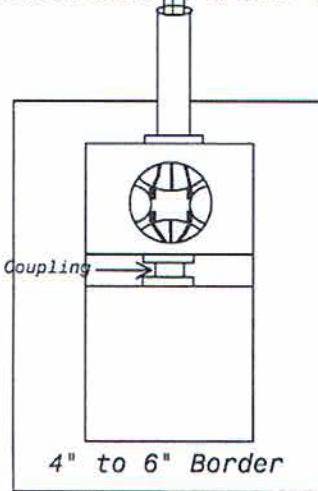


TOUA assumes no responsibility for damages caused by attachment of service wire

NOTE
Allow 18" of wire outside of weatherhead
neutral wire MUST be marked in white

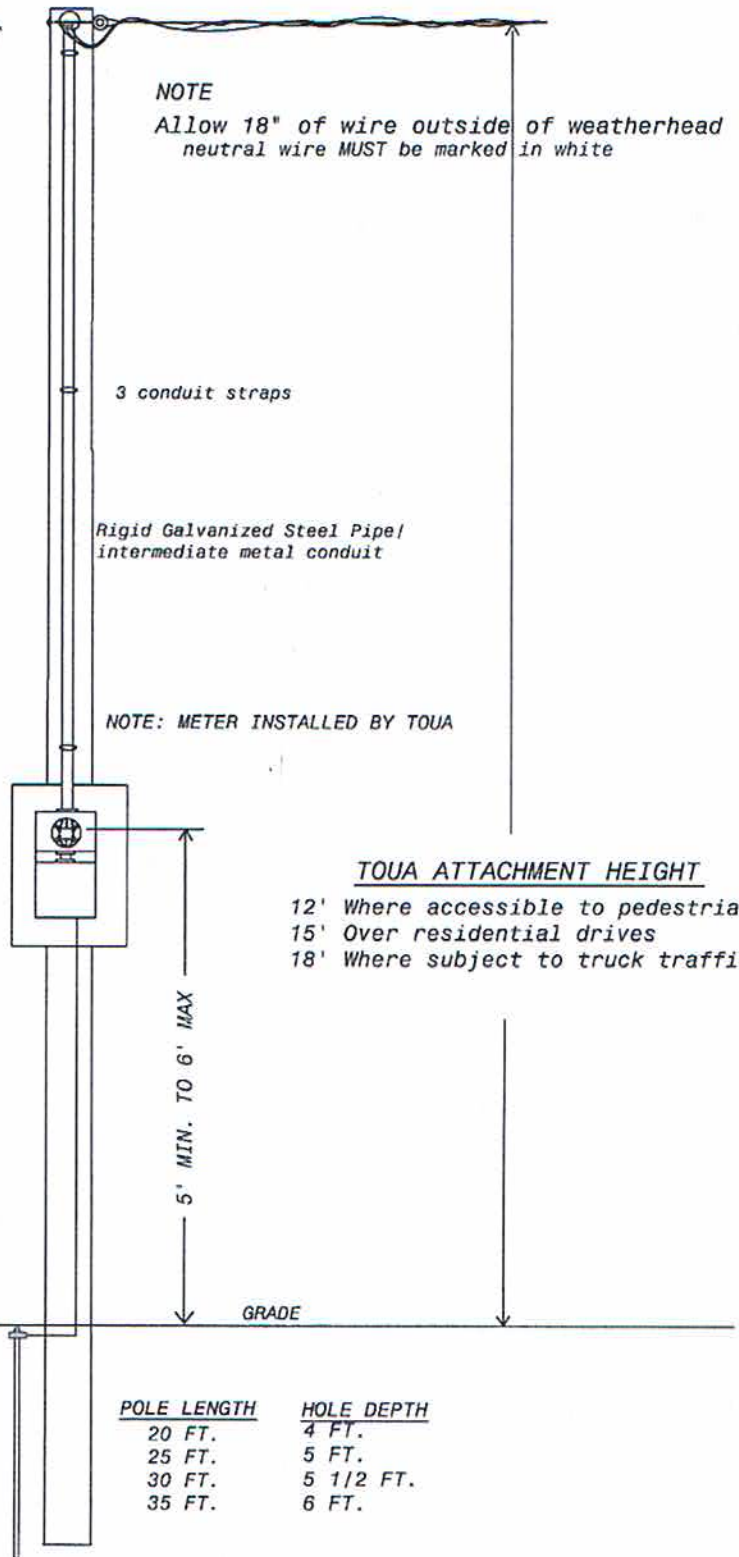
Meter Base and Breaker Box or
Combination Meter / Breaker Box



Weatherproofed 3/4" mounting board
plywood or plank
switch box must have the same
specification as service.

NOTE: All material & installation
to be furnished by the customer
except as noted.

Install ground according
to electrical codes
using #6 AWG solid copper
connected to approved
8x5/8" driven ground rod.



TOUA ATTACHMENT HEIGHT

- 12' Where accessible to pedestrian only
- 15' Over residential drives
- 18' Where subject to truck traffic

POLE LENGTH	HOLE DEPTH
20 FT.	4 FT.
25 FT.	5 FT.
30 FT.	5 1/2 FT.
35 FT.	6 FT.



P.O. Box 816
Sells, Arizona 85634
(520)383-5821

DRAWN BY: M. HADEN

ALL CONDUCTORS MUST HAVE THW INSULATOR OR HIGHER

SERVICE SIZE	COPPER WIRE	
	AWG	Conduit
100 Amp	#2	1 1/2"
200 Amp	# 2/0	2"